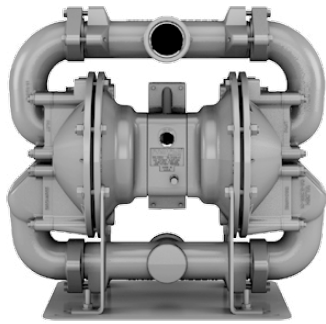


## PS810 BRAHMA METAL PUMP

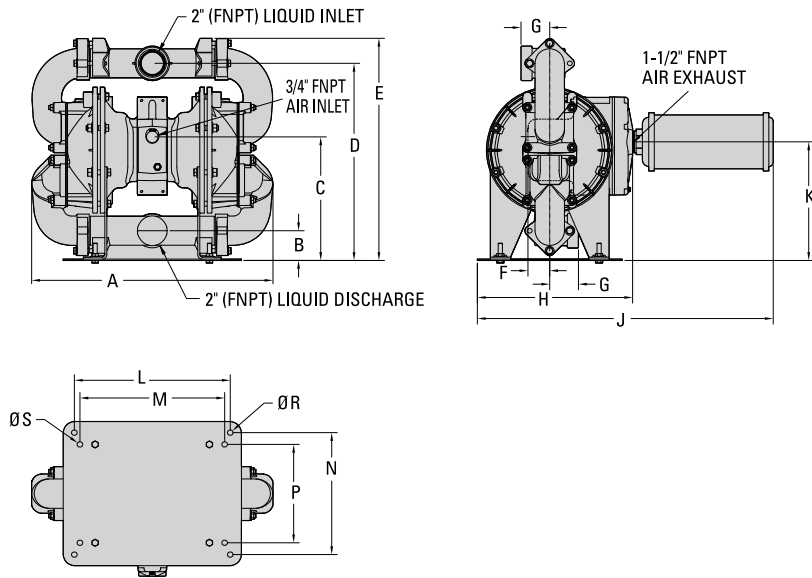
**51 mm (2") Pump**  
**Maximum Flow Rate:**  
**640 lpm (169 gpm)**



**PS810 METAL**

### DIMENSIONAL DRAWING

#### PS810 Metal



### DIMENSIONS

ITEM	METRIC (mm)	STANDARD (inch)
A	550	21.7
B	68	2.7
C	283	11.1
D	451	17.8
E	509	20.0
F	50	2.0
G	66	2.6
H	354	13.9
J	680	26.7
K	272	10.7
L	356	14.0
M	330	13.0
N	279	11.0
P	226	8.9
R	13	0.5
S	13	0.5

LW0281 REV. A

### PUMP DATA

**Specifications:**

- Ship Weight..... Aluminum 37 kg (81 lb)  
 Ductile Iron 57 kg (125 lb)
- Air Inlet ..... 19 mm (3/4")
- Liquid Inlet..... 51 mm (2")
- Liquid Outlet..... 51 mm (2")

## PS810 BRAHMA METAL PUMP

### PERFORMANCE

#### PS810 METAL RUBBER-FITTED

Max. Flow Rate.....640 lpm (169 gpm)  
 Max. Inlet Pressure .....8.6 bar (125 psig)  
 Max. Solids Passage.....51 mm (2")  
 Max. Suction Lift.....7.4 m Dry (24.3')  
   9.0 m Wet (29.5')

